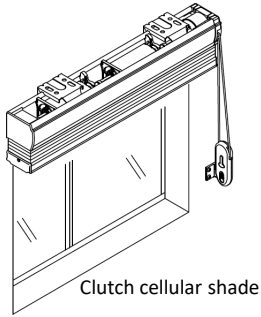


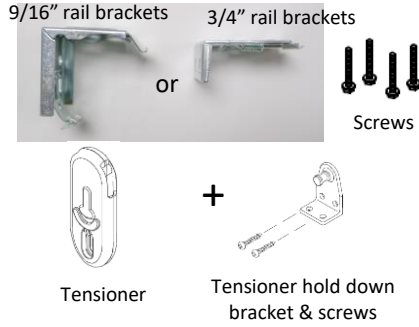
# Clutch Cellular Shade Installation Instruction

## IDENTIFY YOUR CELLULAR SHADE AND PARTS

your parts may vary, depending on the custom request, size of the shade, and size of the headrail you are purchasing.



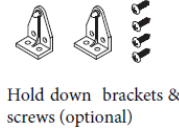
Clutch cellular shade



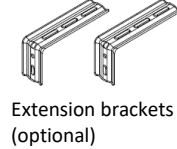
Tensioner

Tensioner hold down bracket & screws

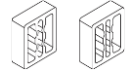
Shade width	QUANTITY OF EACH PART		
	Qty of brackets	Tensioner	Tensioner hold down bracket
$W \leq 36"$	2	1	1
$36" < W \leq 72"$	3	1	1
$72" < W \leq 96"$	4	1	1
$96" < W \leq 120"$	5	1	1



Hold down brackets & screws (optional)

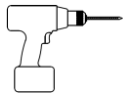


Extension brackets (optional)

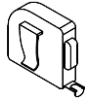


Spacers (optional)

## TOOLS AND PARTS YOU MAY NEED (not included)



Drill with bits



Metal tape measure



Pen



#4 x 3/4" flat head wood screw



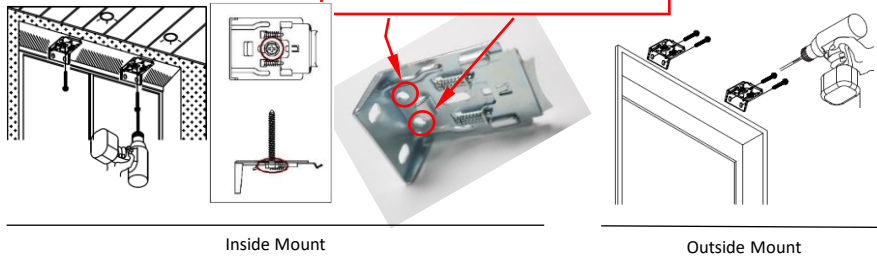
Screwdriver

## FOR THE 3/4" RAIL BRACKETS

### 1. Install the brackets

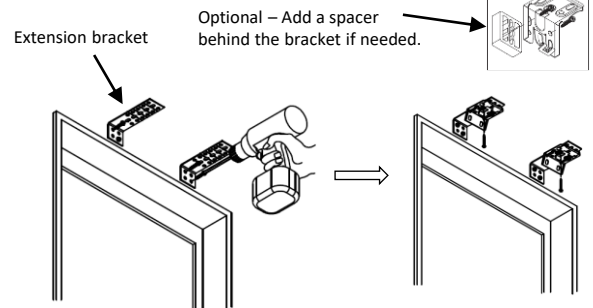
- Mark the bracket locations, separating the brackets evenly. Make sure all brackets are aligned and level with each other.
- For inside mount - Install the bracket with the hole at top center by using the included screw or with two holes at the top rear side by using #4 x 3/4" flat head wood screws (not included).
- For outside mount - install the bracket with two holes at the back side with included screws.

- Fasten the screws completely.
- Install the shade with the extension brackets (optional)
  - Install the extension bracket with at least 2 screws.
  - Attach the mounting brackets to the extension brackets with the screws.



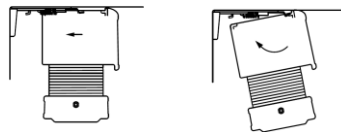
Inside Mount

Outside Mount



### 2. Attach the cell shade

- Position the headrail with the front lip resting on the top hooks of all the brackets.
- Push the bottom of headrail firmly upward and toward the window until the groove at the bottom of the headrail snaps into place.

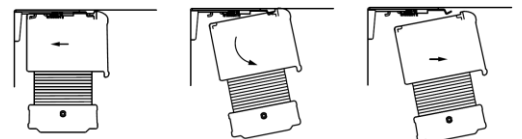


### Mounting spaces

- Minimum mounting space - 1/2"
- Flush mounting space
  - 2-1/4" for 9/16" and 7/16" fabrics
  - 2-1/2" for 3/4" fabrics
  - 2-7/8" for 1-1/4" fabrics

### 3. How to remove the shade from the brackets

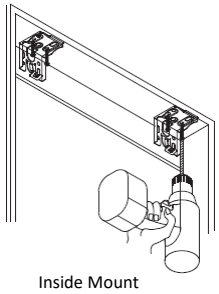
- Raise the shade completely. Push the headrail toward to the wall.
- Tilt the backside of the headrail down
- Once the back of the headrail clears the brackets, pull the headrail off the front of brackets.



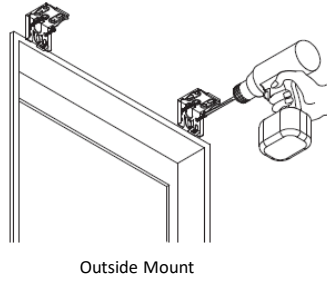
## FOR THE 9/16" RAIL BRACKETS

### 1. Install the brackets

- Mark the bracket locations, separating the brackets evenly. Make sure all brackets are aligned and level with each other.
- For inside mount - Install the bracket with the holes at top by using the included screws.
- For outside mount – install the bracket with the holes at the back side with included screws.

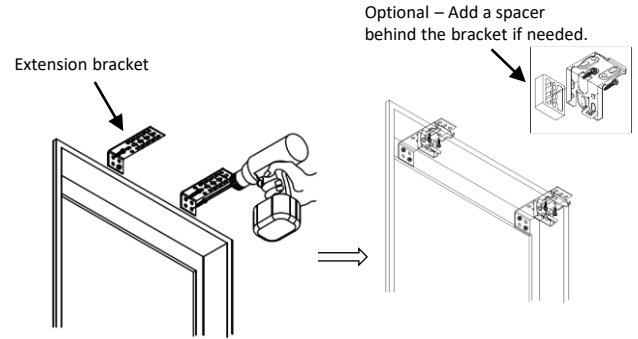


Inside Mount



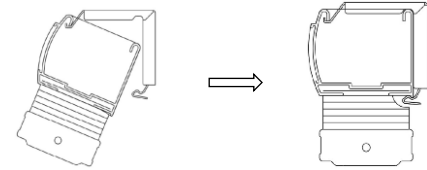
Outside Mount

- Fasten the screws completely.
- Install the shade with the extension brackets (optional)
  - Install the extension bracket with at least 2 screws.
  - Attach the mounting brackets to the extension brackets with the screws.



### 2. Attach the cell shade

- Position the headrail with the front lip resting on the top hooks of all the brackets.
- Push the bottom of headrail firmly upward and toward the window until the groove at the bottom of the headrail snaps into place.

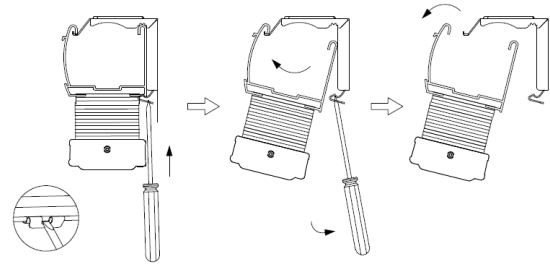


#### Mounting spaces

- Minimum mounting space – 7/8"
- Flush mounting space
  - 2" for 9/16" and 7/16" fabrics
  - 2-1/8" for 3/4" fabrics
  - 2-1/2" for 1-1/4" fabrics

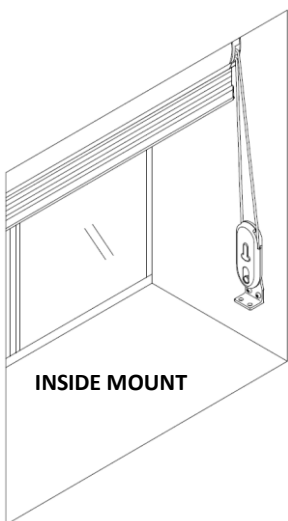
### 3. How to remove the shade from the brackets

- Raise the shade completely.
- Use a flat screw to push the bracket tab toward to the wall. Once you hear a "click", then the shade will be released from the bracket.
- Repeat above step to release the shade from other brackets.



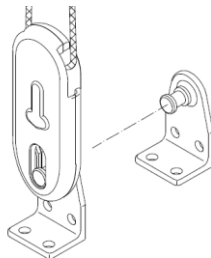
## INSTALL THE SAFETY TENSIONER

**IMPORTANT - THE CLUTCH CELLULAR SHADE WILL NOT OPERATE WITHOUT THE SAFETY TENSIONER PROPERLY INSTALLED. FOR THE SAFETY REASONS, THE CORD LOOP MUST BE SECURE AND HAS TENSION AT ALL THE TIME.**

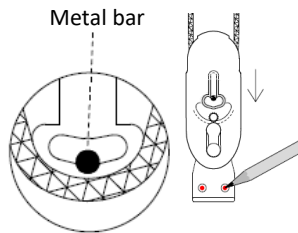


INSIDE MOUNT

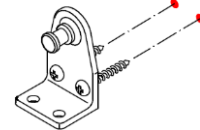
1. Hook the L-bracket to the tensioner.



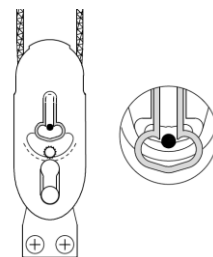
2. Pull down the tensioner and L-bracket together. Make sure the tiny metal bar is at the center of the groove. Mark the location of holes.

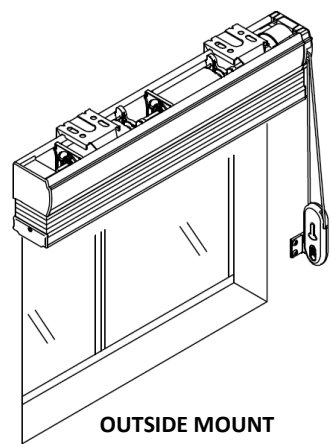


3. Mount the L-bracket with screws.



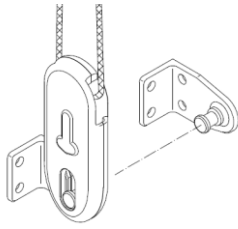
4. Secure the tensioner with the L-bracket at all the time. Both cords should have tension evenly.



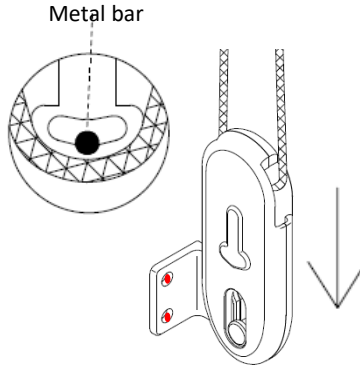


**OUTSIDE MOUNT**

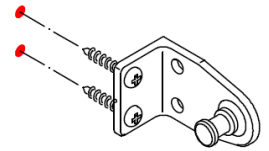
1. Hook the L-bracket to the tensioner.



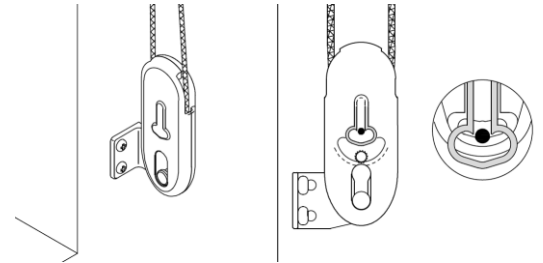
2. Pull down the tensioner and L-bracket together. Make sure the tiny metal bar is at the center of the groove. Mark the location of holes.



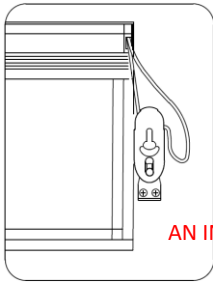
3. Mount the L-bracket with screws.



4. Secure the tensioner with the L-bracket at all the time. Both cords should have tension evenly.



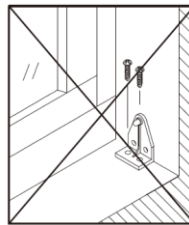
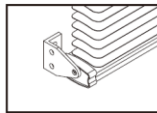
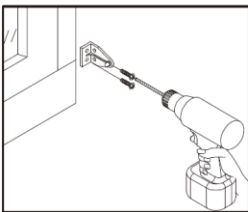
- The tensioner and L-bracket must installed properly before operating the clutch shade.
- For safety reasons, avoid having a loose cord. An incorrectly installed tensioner can lead to serious accidents. Below is an example of an incorrectly installed tensioner - the cord is loose and has no tension.



**AN INCORRECTLY INSTALLED TENSIONER**

**INSTALL THE OPTIONAL HOLD DOWN BRACKETS**

- Install the hold down brackets on the wall (for outside mount) or jamb of window frame (for inside mount), not on the sill of window frame.
- Tighten the screws.



08/2023 ANSI/WCMA 5.1.1

**! WARNING**

**! ADVERTENCIA**



**Window Blind Cord Strangulation Risk**

A damaged, loose, or missing tension device poses a strangulation risk to children. Remove from use and repair or replace if tension device is damaged, loose, or missing.

**Riesgo de estrangulamiento por cordón de persiana**

Un dispositivo de tensión dañado, suelto o faltante presenta un riesgo de estrangulamiento para niños. Retire y repare o reemplace si el dispositivo de tensión está dañado, suelto o falta.