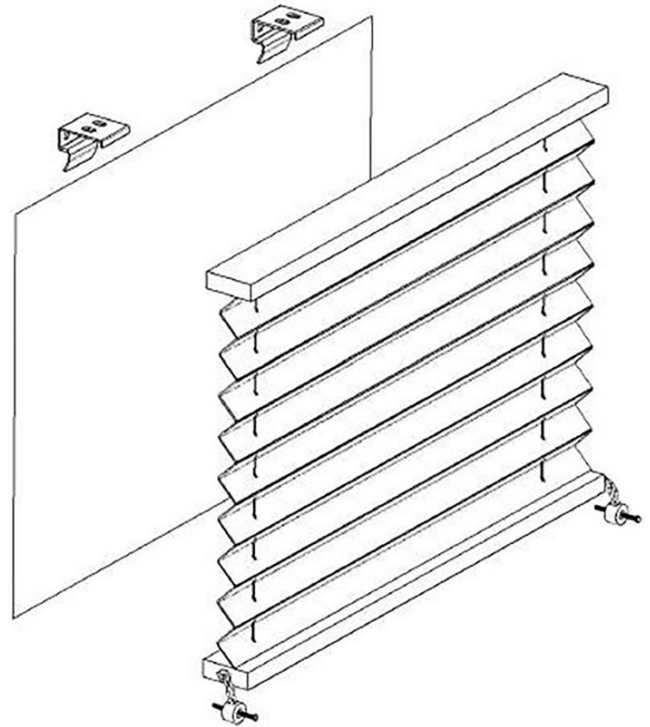


# RV PLEATED SHADES & RV DAY/NIGHT SHADES

## INSTALLATION INSTRUCTIONS

### INSTALLATION:

1. Install the mounting brackets (A) at the top of the window frame. Mount approximately 3" in from the corner of the window. If you are using the Quick Install option, no brackets are necessary. Simply place screws directly through top rail into the predetermined holes. On shades 40" or wider use 3 mounting brackets, one in the center.
2. Install the headrail (B) into mounting brackets by tilting the front of the headrail in an upward position. Slide the hook of the mounting brackets into the groove of the headrail. Then, push the back of the headrail up until it snaps into the bracket.  
**Quick Install option will skip this step.**
3. Allow the shade to hang down until the end of the cord retainer (D) meets the bottom of the rail (C). Place the screw through the cord retainer and mount it directly below the bottom rail about 1/2" under the bottom rail. This will create the correct tension needed to properly operate the shade. The tension should be tight.
4. If needed, adjust the tension by pulling on the cord string and re-tie the cord retainer.



### CLEANING AND CARE:

Shades should be kept in the closed or up position when not in use, to maintain pleat retention and minimize dirt and soil build-up. Do not store shades in the down position. This may cause some loss of pleat retention if the shades are not operated on a consistent basis.

Shades can be easily cared for by simply dusting or using a vacuum cleaner attachment. Do not use spot remover, household cleaners or detergents to remove soiled spots, as these may cause damage to fabric or loss of color from fading.

**NOTE: If your recreational vehicle must be stored for an extended period, store shades in the up position and cover your windows with additional protection (I.E. Cut out cardboard).**

**For additional technical support,  
call 574-AIRXCEL (574-247-9235)**