

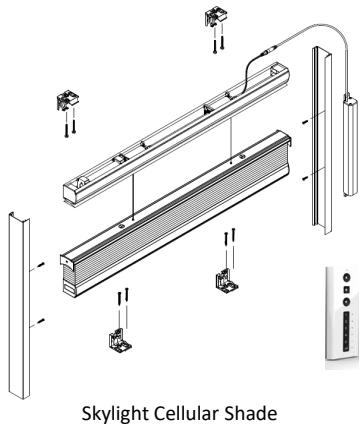
# Rollease Skylight Cellular Shades

## - Installation Guide

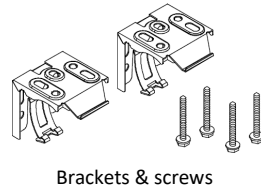
**No programming needed. We have programmed your shade.**

### Installation

**1. Identify your cellular shade and parts** (your parts may vary, depending on the custom request & size of the shade you are purchasing.)



Skylight Cellular Shade



Brackets & screws



Remote



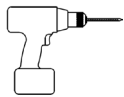
Solar panel (optional)



Rechargeable battery pack (\*The default quantity of the charger and USB cord is 1 set per order. You can request more sets at no cost up to the same quantity as the rechargeable battery pack you ordered.)

Shade width	Qty of the headrail brackets	Qty of the bottom rail brackets
24" ≤ W < 40"	2	2
40" ≤ W < 60"	3	3

### Tools you may need (not included)



Drill with bits



Metal tape measure



Pen



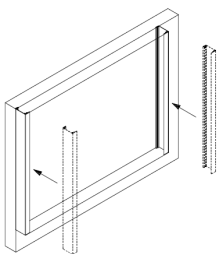
#4 x 3/4" flat head wood screw



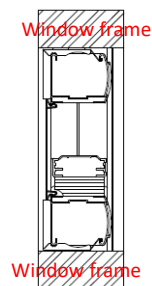
Screwdriver

### 3. Install the brackets

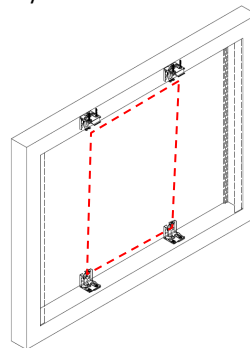
- Located the mounting brackets for the headrail and bottom rail. Make sure all brackets are parallel and perpendicular to each other.
- Mark the bracket locations.
- Install the brackets using screws (included) and tighten them completely.
- Use the side rails to locate the bracket location when needed.



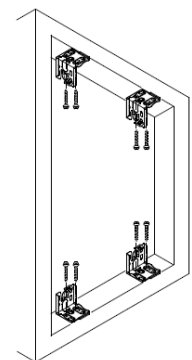
Use the side rails to locate the bracket location when needed.



The brackets are at the same depth.



Make sure all brackets are parallel and perpendicular to each other.



Install the mounting screws.

### 4. Install the rechargeable battery pack

- Determine the location of the battery pack.

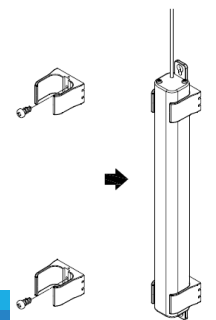
**NOTE: DO NOT INSTALL THE RECHARGEABLE BATTERY PACK TO WHERE IT MAY EXPOSE TO THE DIRECT SUNLIGHT.**

**NOTE: CHARGE THE RECHARGEABLE BATTERY PACK COMPLETED BEFORE 1<sup>ST</sup> USE (around 6-7 hours).**

**NOTE: USE THE EXTENSION CORD (ORDER SEPARATELY) TO CONNECT THE MOTOR AND BATTERY PACK WHEN NEEDED.**

- Install the battery brackets with the screws included.
- Snap the battery to the battery brackets.
- Follow the installation instruction inside the battery box.

**NOTE: MAKE SURE THE BATTERY IS ATTACHED TO THE PLACE TIGHTLY WHEN YOU MAY OPEN AND CLOSE THE SKYLIGHT WINDOW.**

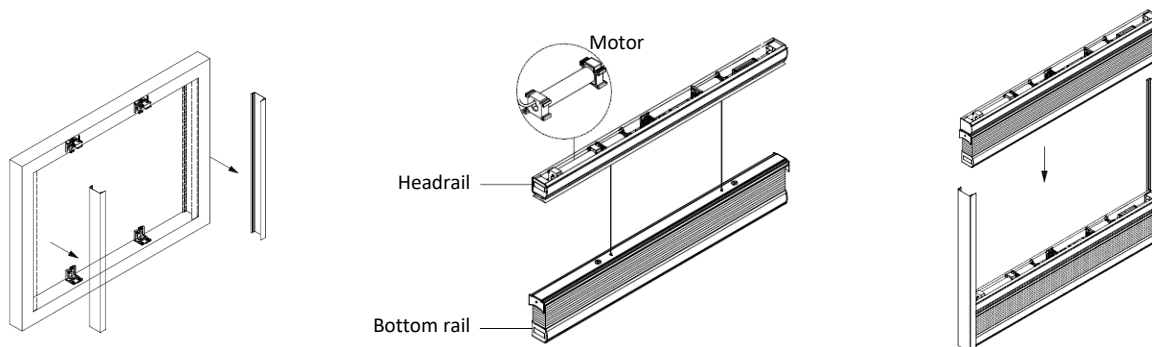


# Rollease Skylight Cellular Shades

## - Installation Guide

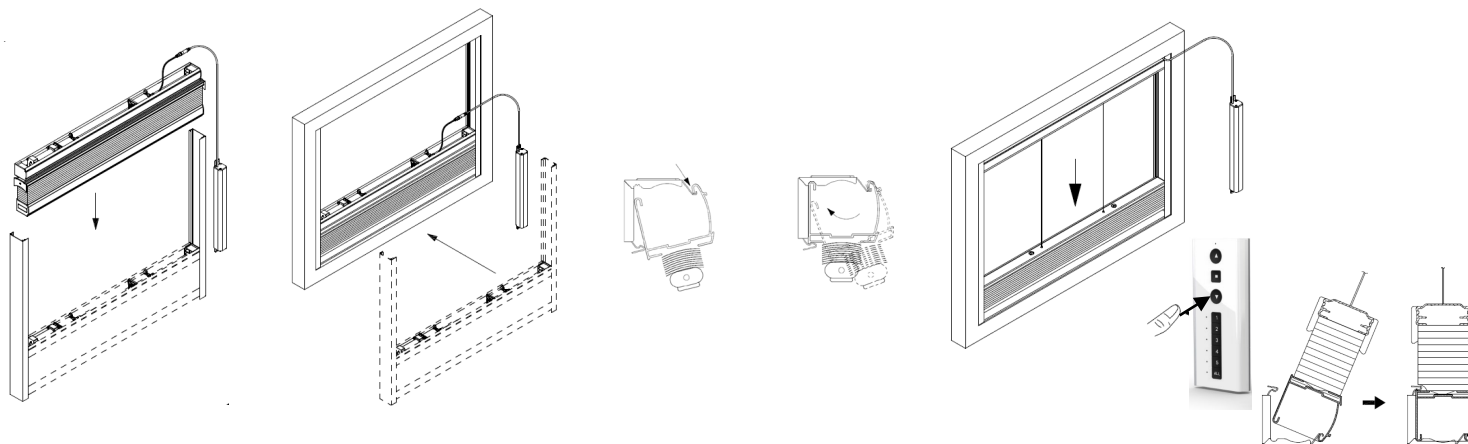
### 5. Assemble the skylight shade

- Remove the side rails from the window frame after installed the brackets.
- The headrail is the rail with the motor in it; the bottom rail is the rail with the fabric stack and the middle rail attached.
- Put the middle rail end caps into the side rail.
- Slide the window shade into the side rails, and then attached the middle rail end caps to the middle rail.



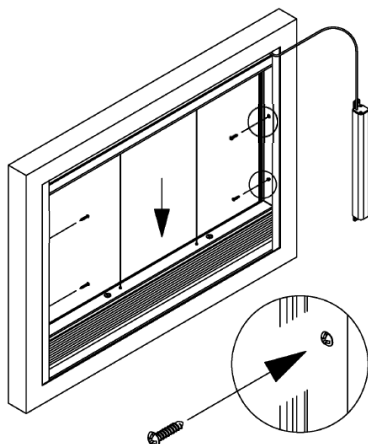
### 6. Mount the skylight shade to the brackets

- Pull the motor charging cord out from the headrail.
- Move the shade up to mount the headrail to the headrail brackets.
- Connect the motor charging cord to the battery pack.
- Use the remote to lower the middle rail and bottom rail down, and then mount the bottom rail to the bottom rail brackets



### 7. Fasten the screws for the side rails

- Fasten the screws to both side rails.



### 8. Installation is done.

- Mount the remote to the wall following the installation inside the remote box.

